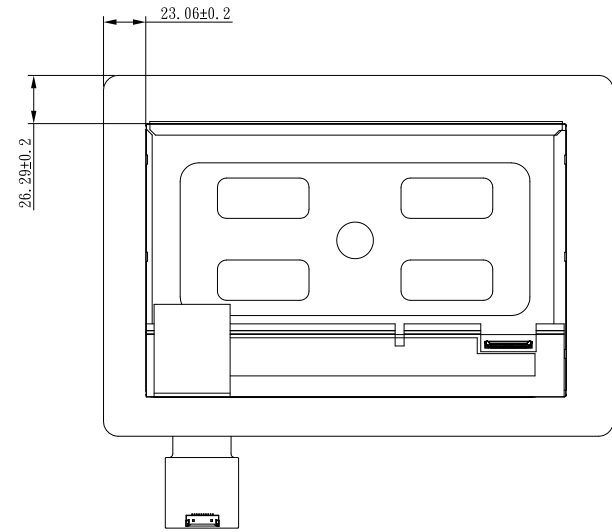
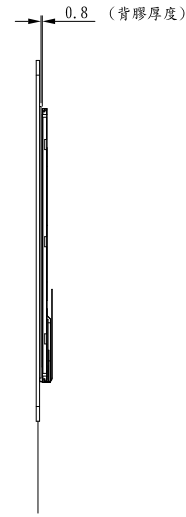
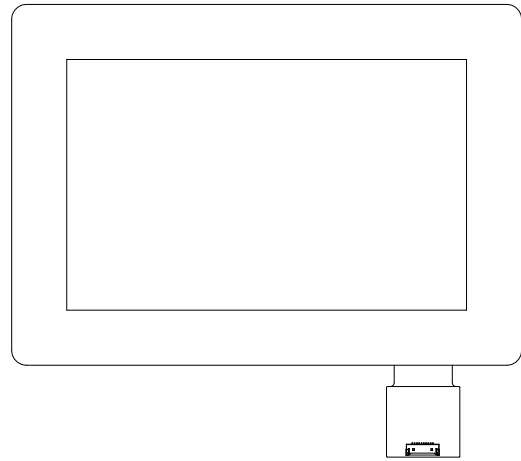


估價圖面
 樣品圖面
 參考圖面
 承認圖面
 更新圖面



Panel : E9689410110R
 Touch : E968X000190R
 雙面膠:3M-5930 T=0.8mm



$\Delta E \leq 1.5 -1 \leq \Delta L, \Delta a, \Delta b \leq 1$

GENERAL TOL.	A	B	MATERIAL:	PART No.
>0	±0.1	±0.1	SPEC:	DMR Number:
>10	±0.15	±0.2	FINISH:	APPROVED
>50	±0.2	±0.3	UNIT:MM	CHECKED
>200	±0.3	±0.5	SCALE:	DESIGNED
>500	±0.5	±0.8	ANGLE TOL. ≤ 0.5	DRAWN
			Dragon Huang	NAME
			Kobe Chang	MODEL No.
			Owen Lee	E9689410110R
			Owen Lee	REV. A2
			20190905	SHEET: 1/1
			20190905	A2
			20190905	
			20190905	

